

Product Specifications

Beta 58A® Supercardioid Dynamic Vocal Microphone

Overview

The Shure Beta 58A dynamic vocal microphone is precision-engineered for professional live sound reinforcement and studio recording applications. A tailored frequency response accentuates clarity of vocals and a tight supercardioid pattern insures high gain-before-feedback, maximum isolation from other sound sources and minimum off-axis tone coloration.

Features

- Premier live performance microphone with Shure quality, ruggedness, and reliability
- Uniform supercardioid pick-up pattern for maximum gain before feedback and superior rejection of off-axis sound
- Tailored frequency response specifically shaped for vocals, with brightened midrange and bass roll off to control proximity effect
- Neodymium magnet for greater sensitivity and higher output
- Advanced pneumatic shock mount system that minimizes transmission of mechanical noise and vibration
- Dent-resistant steel mesh grille and enamel coated die-cast metal construction resist wear and abuse
- Effective built-in pop filter reduces undesirable wind and breath noise



BETA 58A

Available Models

Beta 58A	Supercardioid Dynamic Vocal Microphone with High-output Neodymium Element
-----------------	---

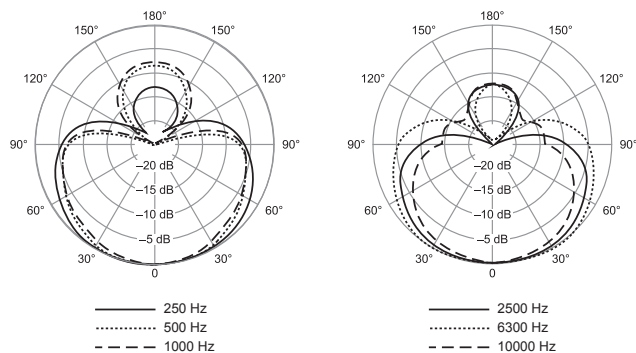
Specifications

Cartridge Type	Dynamic (moving coil)
Frequency Response	50 to 16,000 Hz
Polar Pattern	Supercardioid
Output Impedance	150 ohms
Sensitivity (at 1kHz, open circuit voltage)	-51 dBV/Pa (2.8 mV) 1 Pascal=94 dB SPL
Weight	Net: 0.278 kg (0.62 lbs)
Connector	Three-pin professional audio (XLR), male

Furnished Accessories

A25D	Adjustable Stand Adapter	95A2050	5/8" to 3/8" (Euro) Thread Adapter
95A2314	Storage Bag		

Polar Pattern



Frequency Response

