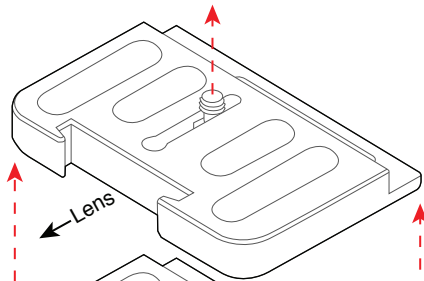
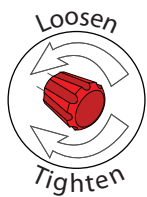


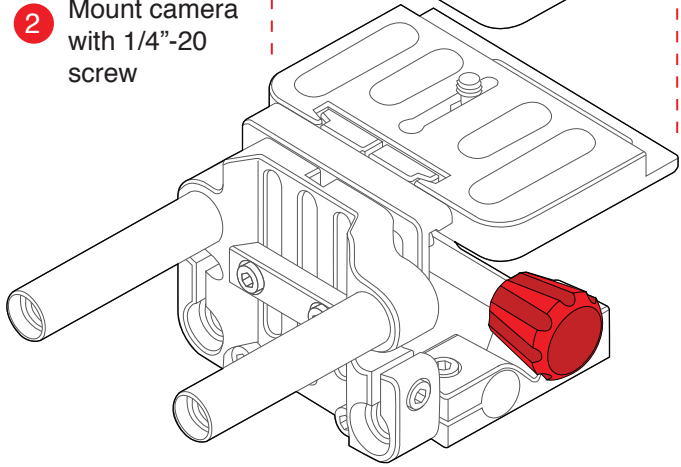


Operating your DSLR Base Plate

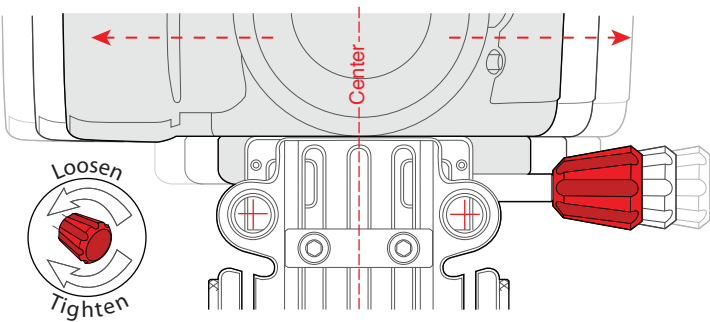
1 Loosen red knob to detach top plate



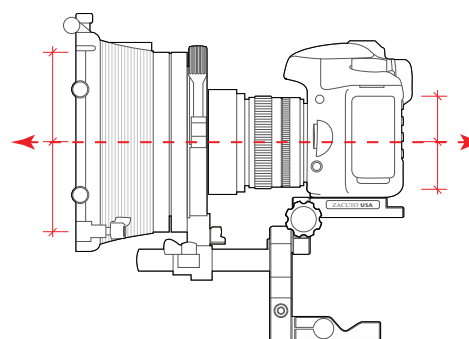
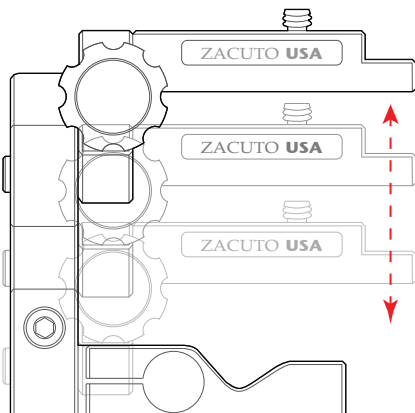
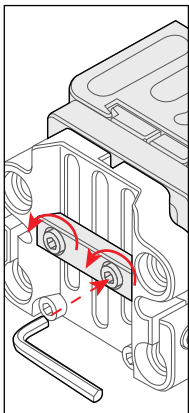
2 Mount camera with 1/4"-20 screw



3 Center camera lens between iris rods



4 Adjust the height of the plate for different camera body sizes



If using optional matte box, use it to center the height of the lens

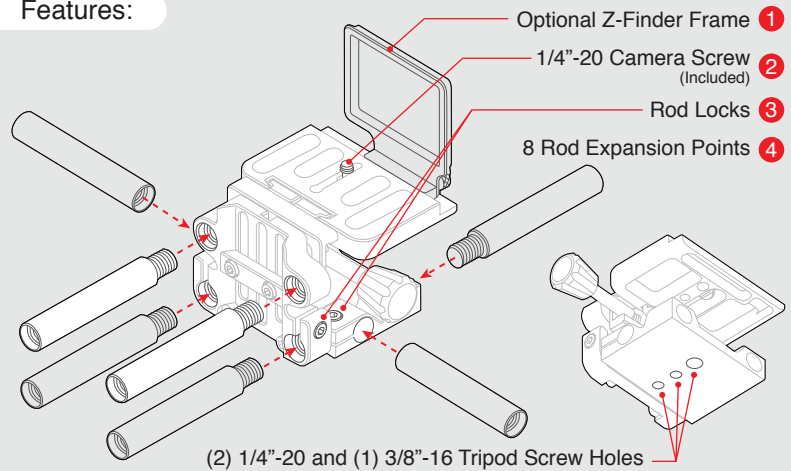
Included Parts:

x1 5/32" Allen Wrench

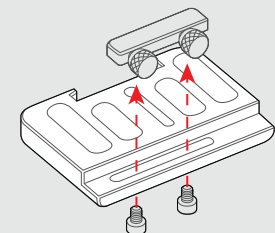
x2 3 1/2" Iris Rod

x1 DSLR Base plate

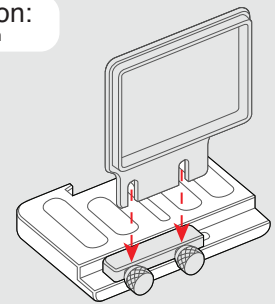
Features:



(Optional) Z-Finder Frame Installation:
Refer to Z-Finder instructions for complete installation



1 Attach slider to base plate



2 Attach frame to slider

For more information, watch our tutorial video at Zacuto.com.

