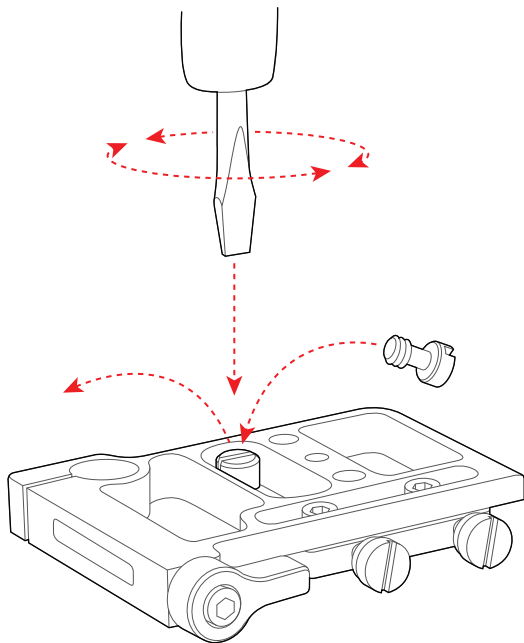


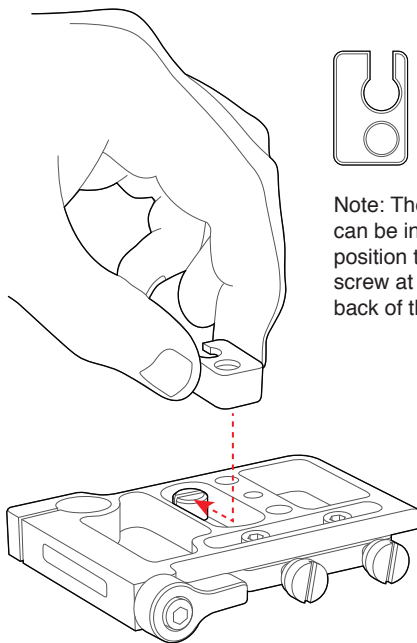


Assembling Your Gorilla Plate Adapter

- 1 Remove old 1/4"-20 screw and replace with the screw included with the adapter

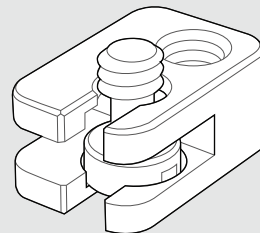


- 2 Insert adapter into slot and slide so that the screw is encased within the housing



Note: The adapter can be inserted to position the 1/4"-20 screw at the front or back of the plate

Included Parts:



x1 Gorilla Plate Adapter

For more information,
watch our tutorial video
at Zaguto.com

