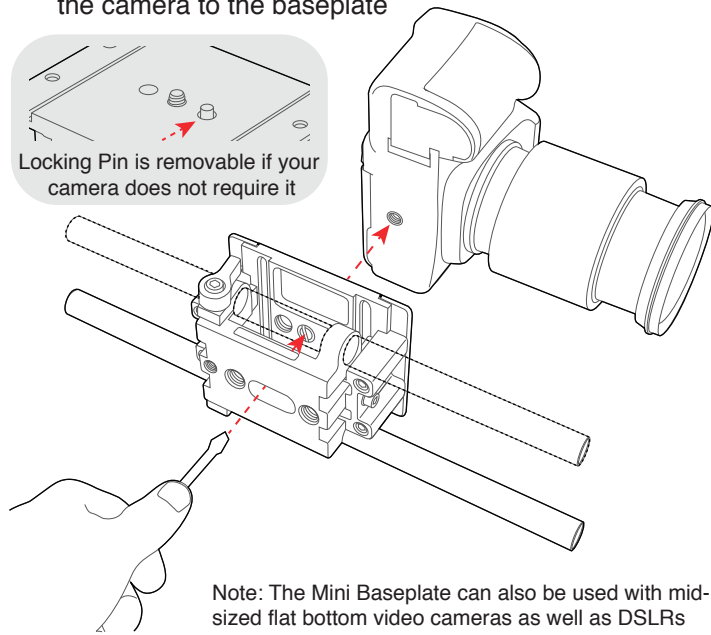




Operating your Universal Baseplate Mini

1 Align your camera over the 1/4"-20 screw and tighten the camera to the baseplate

Locking Pin is removable if your camera does not require it

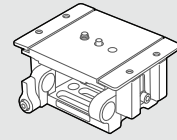


Note: The Mini Baseplate can also be used with mid-sized flat bottom video cameras as well as DSLRs

Included Parts:



x2 12" Iris Rod

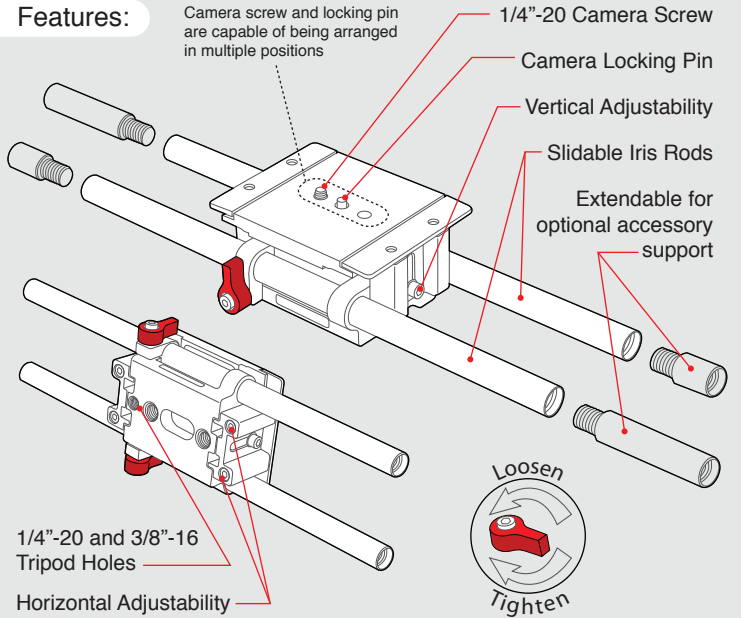


x1 Universal Baseplate Mini

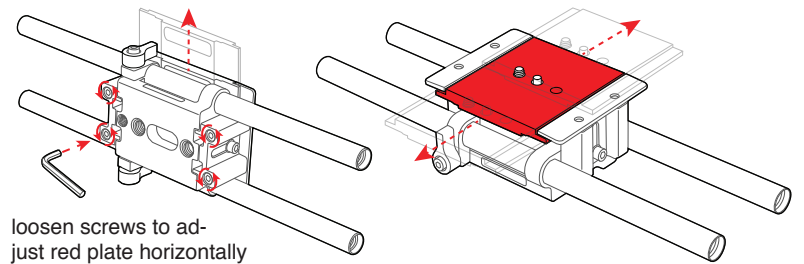
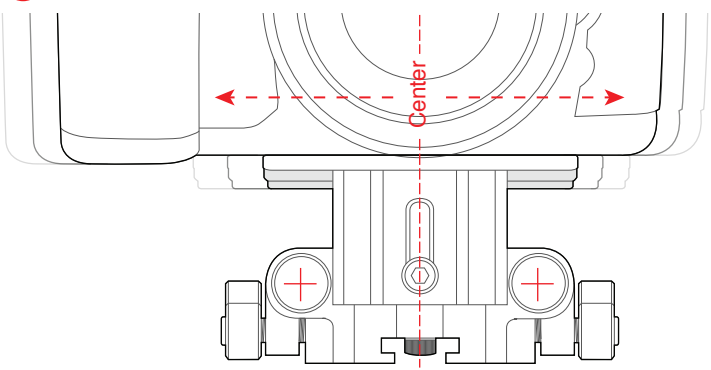


x1 5/32" Allen

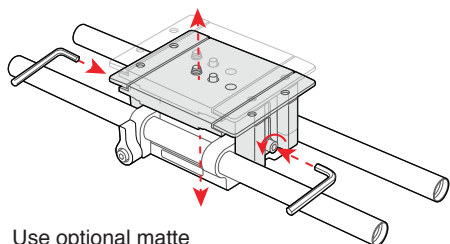
Features:



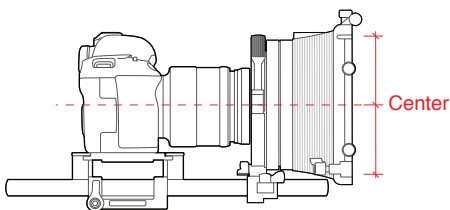
2 Center the camera lens between the iris rods



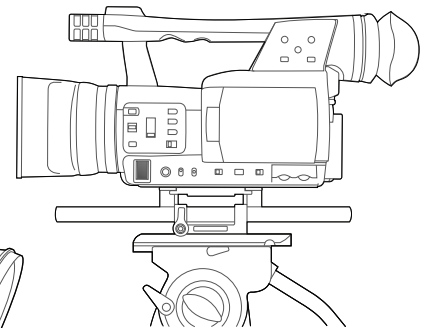
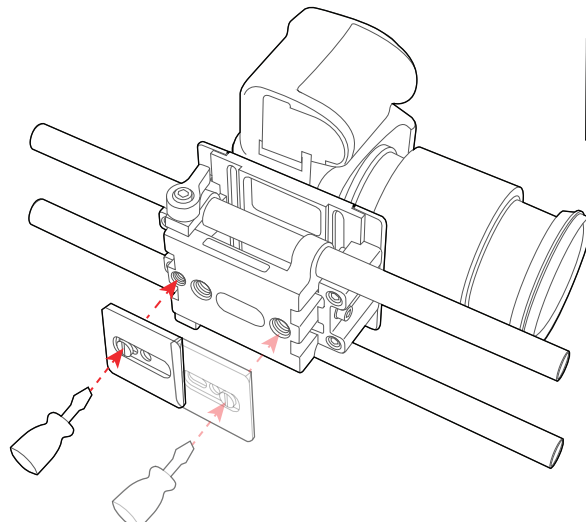
3 Adjust the height of the plate



Use optional matte box to center height of the lens



4 Attach baseplate to tripod



For more information, watch our tutorial video at Zacuto.com