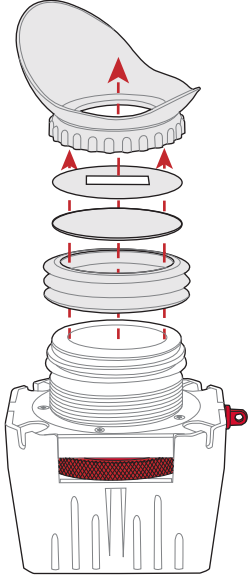


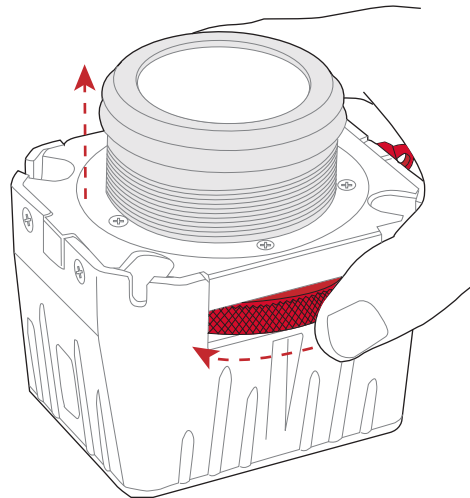


# Installing your Z-Finder Eyecup

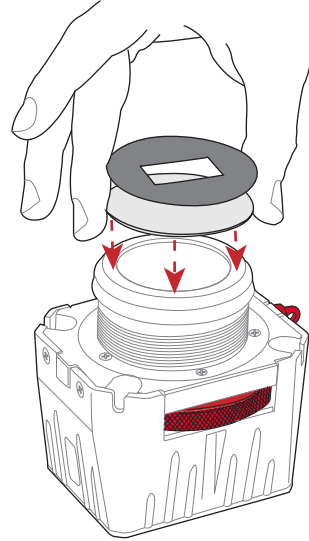
**1** Remove existing accessories



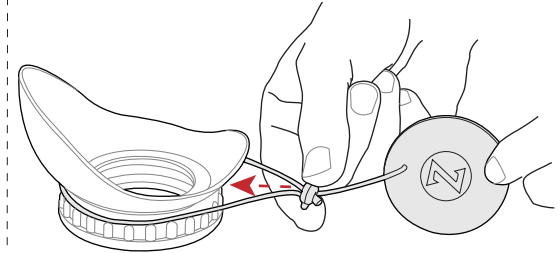
**2** Turn the red diopter clockwise until it stops (should be raised all the way up)



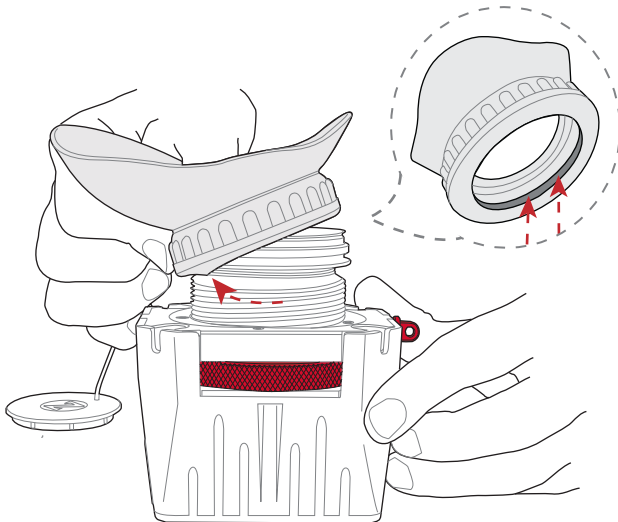
**3** Replace antifog and sunshield on top of lens



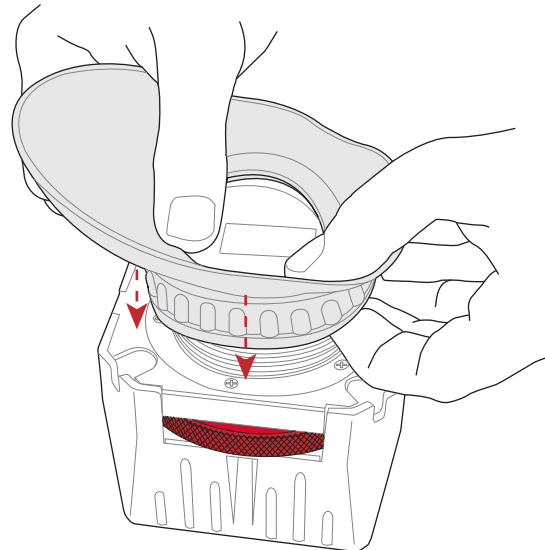
**4** Take the new eyecup and secure the lens cap to the base of the eyecup as shown



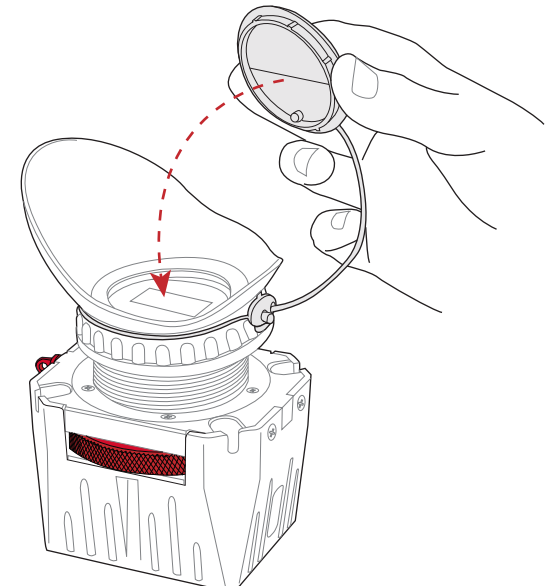
**5** Line up lens ring with the groove inside the lower lip of eyecup



**6** Apply pressure evenly around upper opening of eyecup, then press firmly



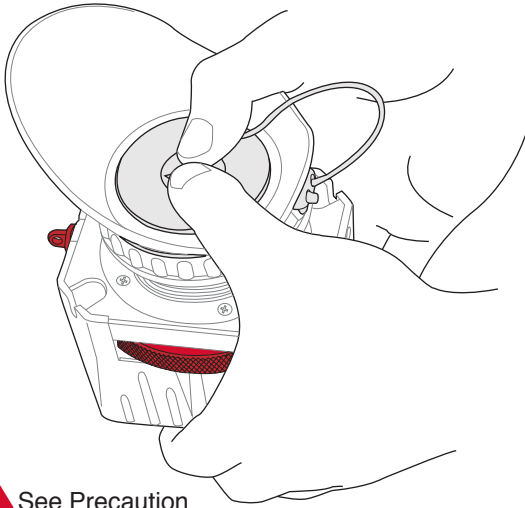
**7** Place lens cap over lens and secure tightly





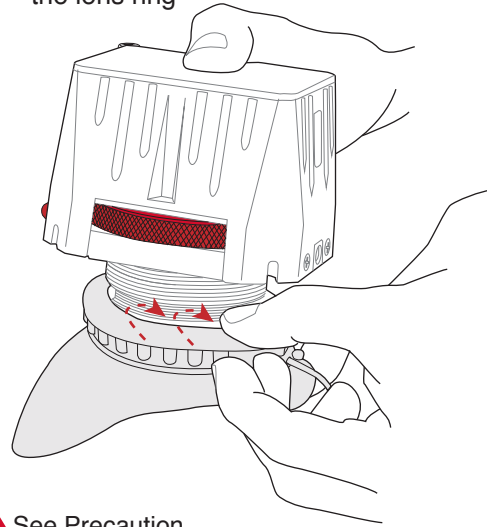
# Installing your Z-Finder Eyecup

- 8** Apply pressure with thumbs to hold lens cap and eyecup firmly in place to avoid smudging the antifog shield



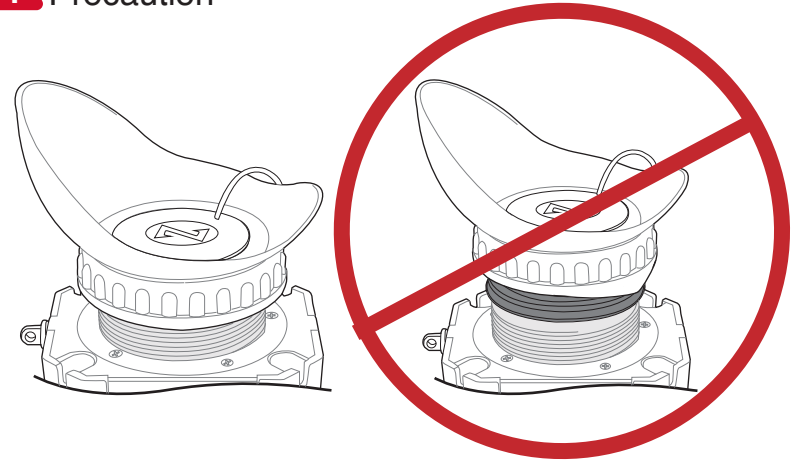
! See Precaution

- 9** Flip Z-finder unit upside down to snap lower lip of eyecup completely over the lens ring

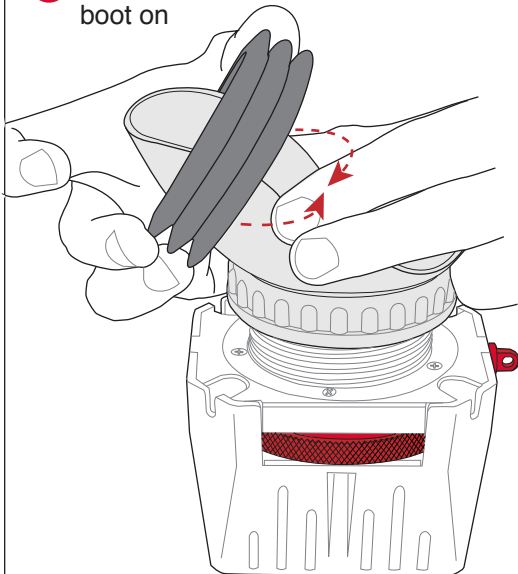


! See Precaution

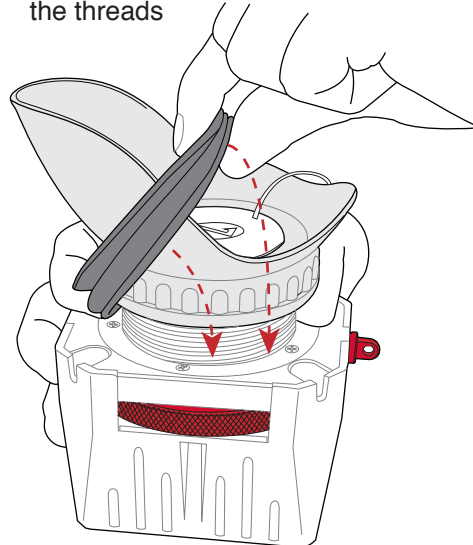
**! Precaution**



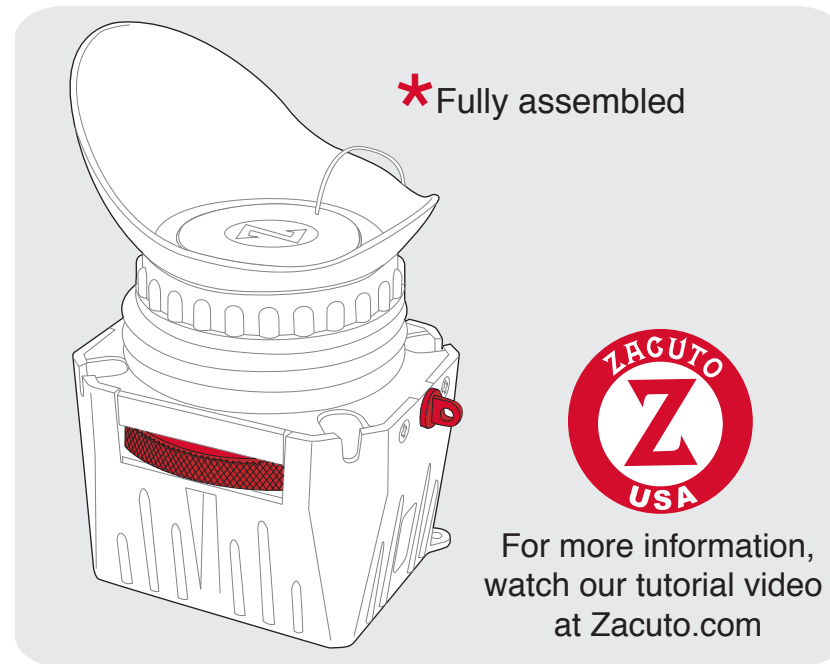
- 10** Lightly pinch tall end of eyecup and slide boot on



- 11** Anchor one side of boot and slide over eyecup to final position covering all of the threads



**\* Fully assembled**



For more information,  
watch our tutorial video  
at [Zacuto.com](http://Zacuto.com)