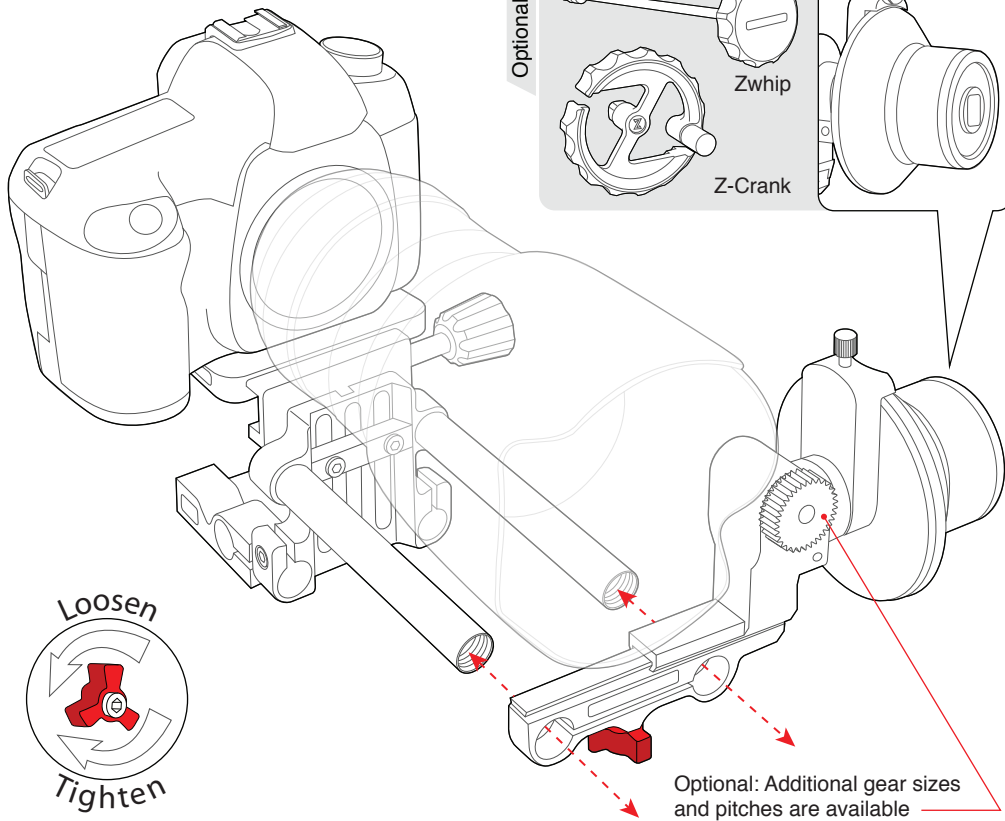


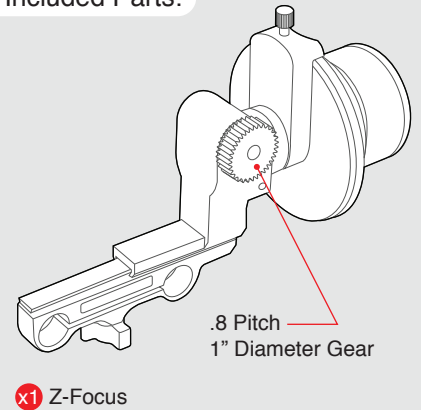


# Operating your Z-Focus

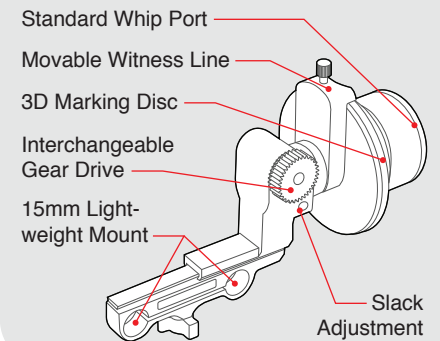
## 1 Slide Z-Focus onto Iris Rods



## Included Parts:

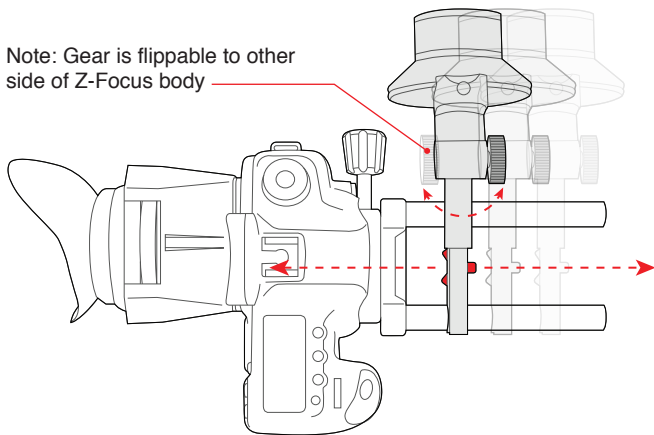


## Features:

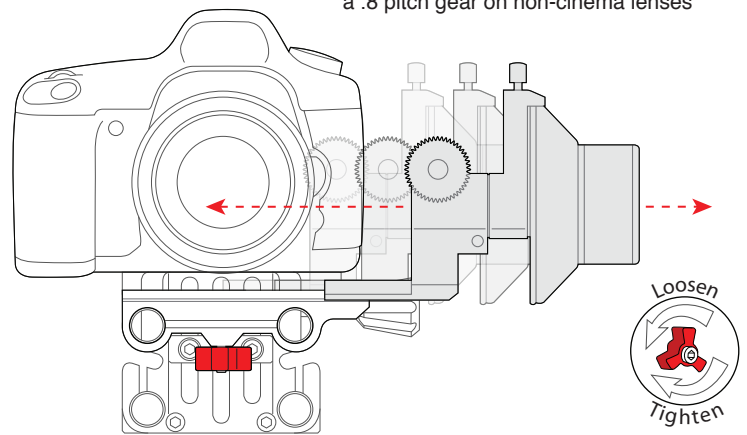


## 2 Adjust the Z-Focus laterally and horizontally until aligned with the gears on your lens

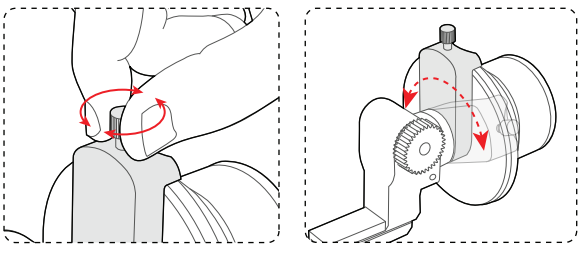
Note: Gear is flippable to other side of Z-Focus body



Note: Refer to ZipGear instructions to install a .8 pitch gear on non-cinema lenses



## 3 Loosen knob to rotate witness mark



For more information, watch our tutorial video at [Zacuto.com](http://Zacuto.com)

