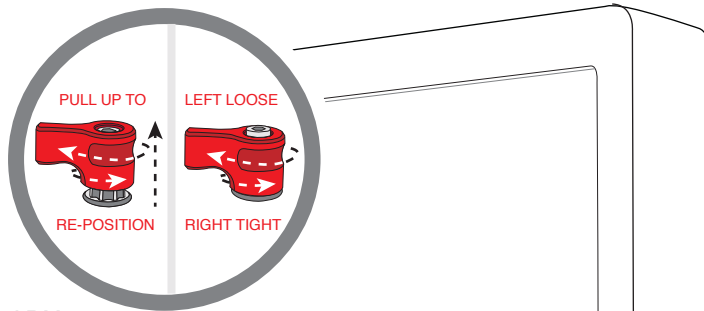


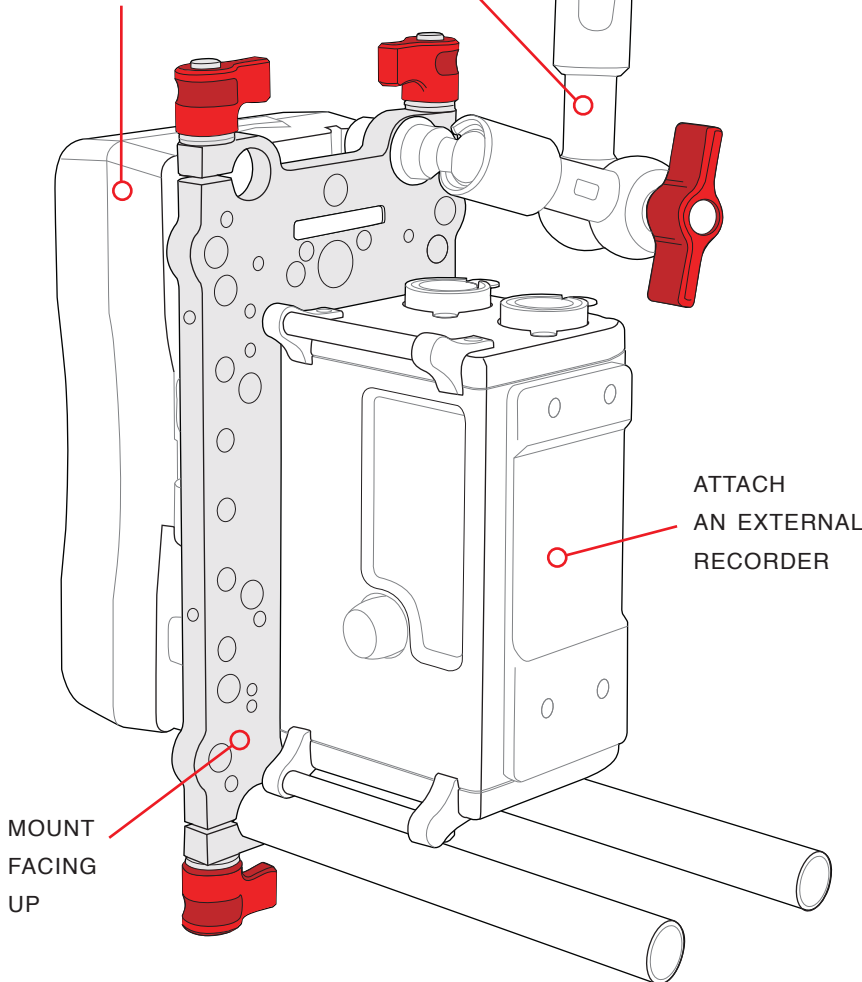


ZWISS PLATE V2 FUNCTIONS/CONFIGURATIONS



ATTACH AN ARM
TO A TOP ROD
PORT TO
MOUNT A
MONITOR

PUT BATTERIES AND
ACCESSORIES BEHIND
YOUR CAMERA TO ACT
AS COUNTER BALANCE



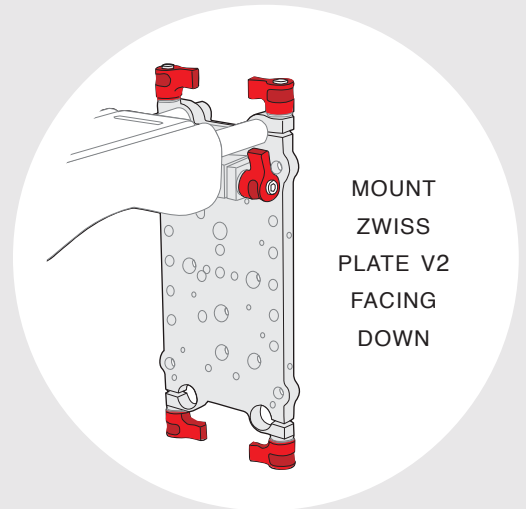
ATTACH
AN EXTERNAL
RECORDER

MOUNT
FACING
UP

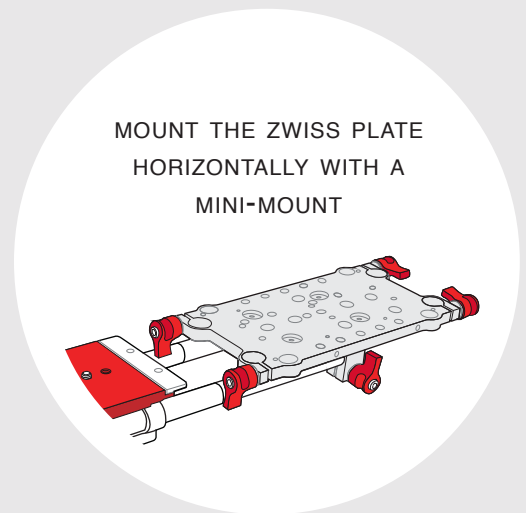
ZWISS PLATE V2 DETAILS:

IS SIMILAR TO OUR STANDARD ZWISS PLATE IN MANY WAYS BUT HAS EXTRA MOUNTING OPTIONS FOR VARIOUS RECORDERS. IT ALSO HAS SPECIFIC HOLE PATTERNS FOR MORE THAN ONE BATTERY PLATE. THE ZWISS PLATE V2 ALSO HAS ALL THE HOLES LABELED TO EASILY IDENTIFY THE CORRECT HOLE PATTERN FOR VARIOUS DEVICES. (ZWISS PLATE V2 LABEL KEY IS ON THE REVERSE OF THIS SHEET)

ADDITIONAL POSITIONS:



MOUNT
ZWISS
PLATE V2
FACING
DOWN



MOUNT THE ZWISS PLATE
HORIZONTALLY WITH A
MINI-MOUNT



KEY FOR ZWISS PLATE V2

ZWISS PLATE V2 DETAILS:

ZWISS PLATE V2 WORKS WITH SEVERAL OTHER RECORDERS USING BOTH THE 3/8 16" OR 1/4 20" TAPPED HOLES ON THE ZWISS PLATE V2.

ADDITIONAL PLATE DETAILS:

A CAPTURED 1/4 20 IN CENTER FOR ATTACHING THREADED ACCESSORIES

THREE SETS OF MINIMOUNT (MM) TAPPED HOLES FOR ATTACHING A MINIMOUNT TO MAKE ZWISS PLATE A HORIZONTAL ZWISS PLATE

TAPPED 1/4 20 HOLES LABELED "ZCR" FOR ATTACHING A ZICRO III WITH TWO SCREWS SO ROD PORT IS CENTERED ON PLATE

KEY:

- WP** ZACUTO WIRELESS PLATE
- AJA** AJA KI PRO MINI/QUAD RECORDER
- CDX** CODEX ONBOARD S 4K RECORDER*
*SCREWS ADDITIONAL
- QRD** ANTON BAUER QRC DIGITAL BATTERY PLATE
SCREWS PROVIDED
- VMT** SWITRONIX IDX V-MOUNT BATTERY PLATE
SCREWS PROVIDED
- QR** ANTON BAUER QR GOLD BATTERY PLATE
USE SCREWS THAT COME WITH PLATE
- QRC** ANTON BAUER QRC GOLD BATTERY PLATE
USE SCREWS THAT COME WITH PLATE
- JPT** SWITRONIX JETPACK BATTERY PLATES
TO MOUNT JETPACK USERS NEED TWO 1/4 20 PAN HEAD SCREWS. SCREWS PROVIDED
- VCT** VECT V-MOUNT BATTERY PLATE
SCREWS PROVIDED

SCREWS INCLUDED:

